

4

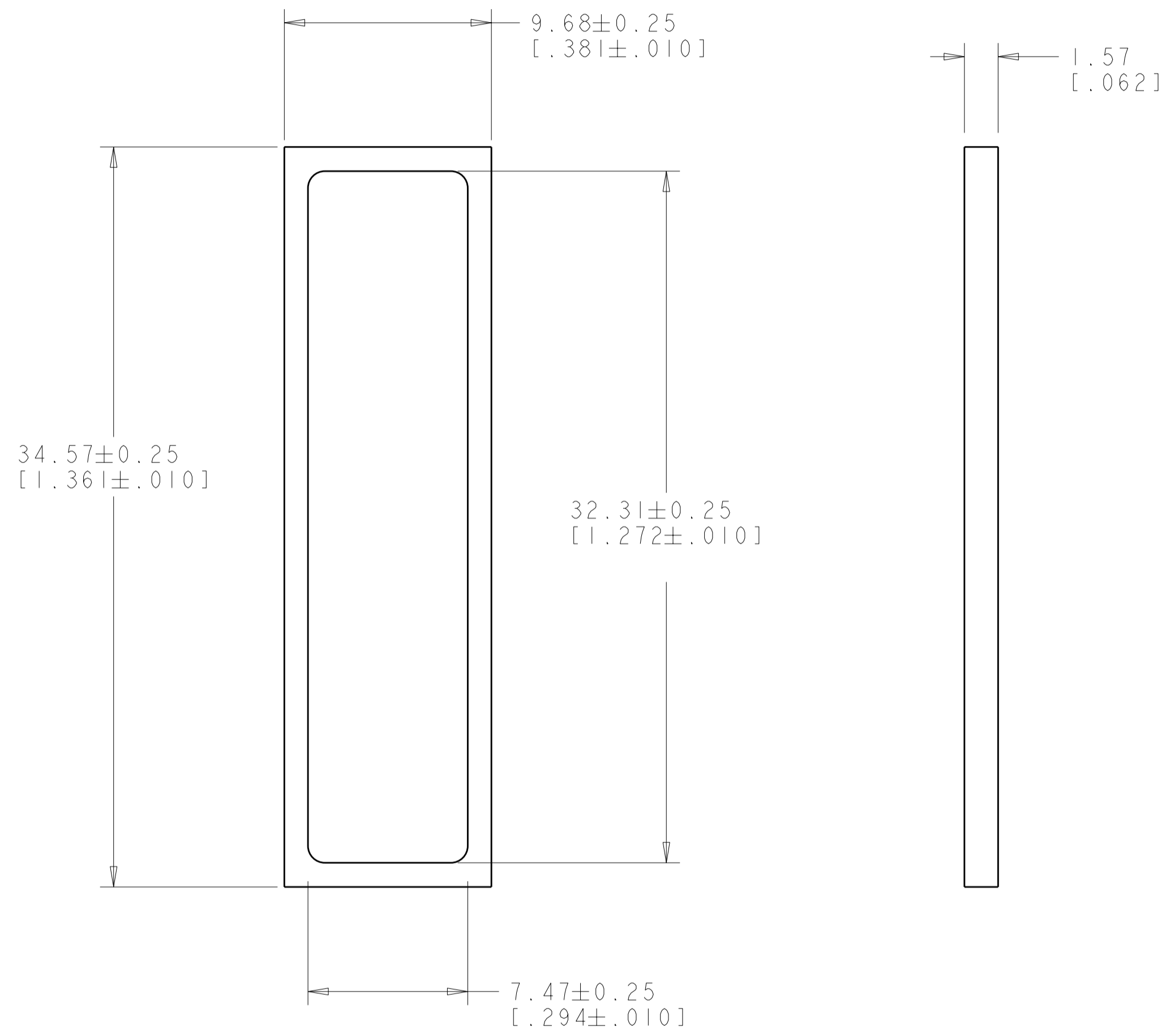
3

2

1

THIS DRAWING IS UNPUBLISHED. RELEASED FOR PUBLICATION 20  
 © COPYRIGHT 20 BY TYCO ELECTRONICS CORPORATION. ALL RIGHTS RESERVED.

LOC	DIST	REVISIONS					
CM	00	P	LTR	DESCRIPTION	DATE	DWN	APVD
		I		PRE-RELEASED	20-OCT-03	KW	CJ
		O		REVISED PER 063B-1168-04	04JAN05	KW	CJ
		A		REACTIVATED PER ECO-06-011116	15MAY06	KW	CJ



- 1. MATERIAL: DIECUT URETHANE FOAM.
- 2. THIS SEAL IS NOT YET RATED OR QUALIFIED TO ANY SEALING STANDARDS.

1-1586362-6  
PART NO



<small>THIS DRAWING IS A CONTROLLED DOCUMENT FOR TYCO ELECTRONICS CORPORATION. IT IS SUBJECT TO CHANGE AND THE CONTROLLING ENGINEERING ORGANIZATION SHOULD BE CONTACTED FOR THE LATEST REVISION.</small>		DWN K. WHITAKER	20-OCT-03	Tyco Electronics Harrisburg, PA 17105-3608
DIMENSIONS: mm [ INCHES ]		CHK C. JONES	20-OCT-03	
		APVD C. JONES	20-OCT-03	
TOLERANCES UNLESS OTHERWISE SPECIFIED: 0 PLC ±- 1 PLC ±- 2 PLC ±0.13 [.005] 3 PLC ±- 4 PLC ±- ANGLES ±- FINISH -		PRODUCT SPEC -	NAME PERIMETER INTERFACE SEAL, MINI UNIVERSAL MATE-N-LOK(TM)	
MATERIAL	-	APPLICATION SPEC -	WEIGHT -	SIZE A2
CUSTOMER DRAWING			SCALE 5:1	SHEET 1 OF 1
			DRAWING NO 1586362	RESTRICTED TO -
			REV A	

794772